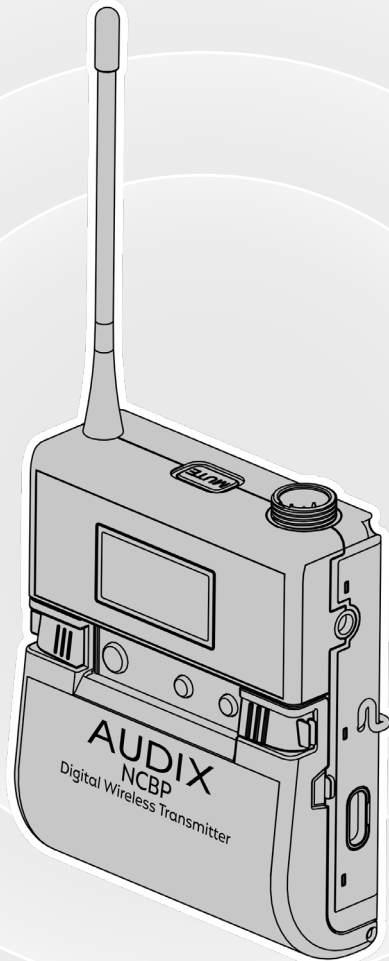


NCBP User Guide

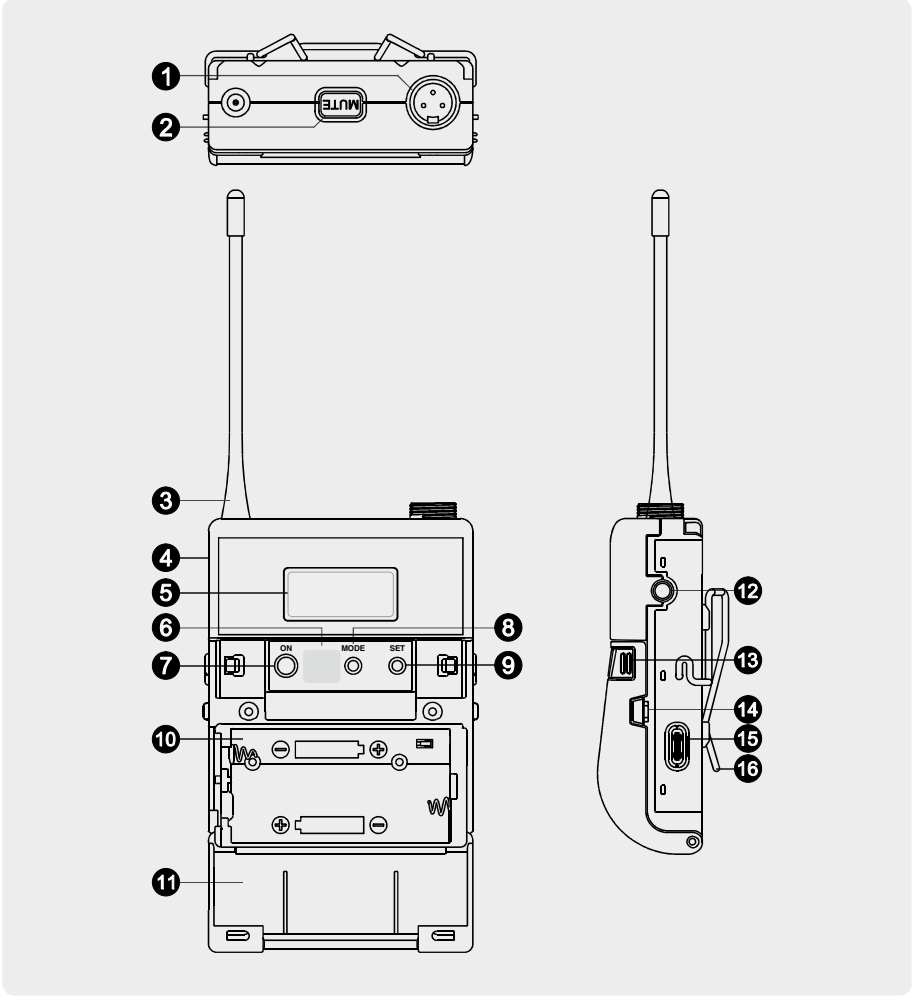
Novacore Body Pack



AUDIX®

Parts Name

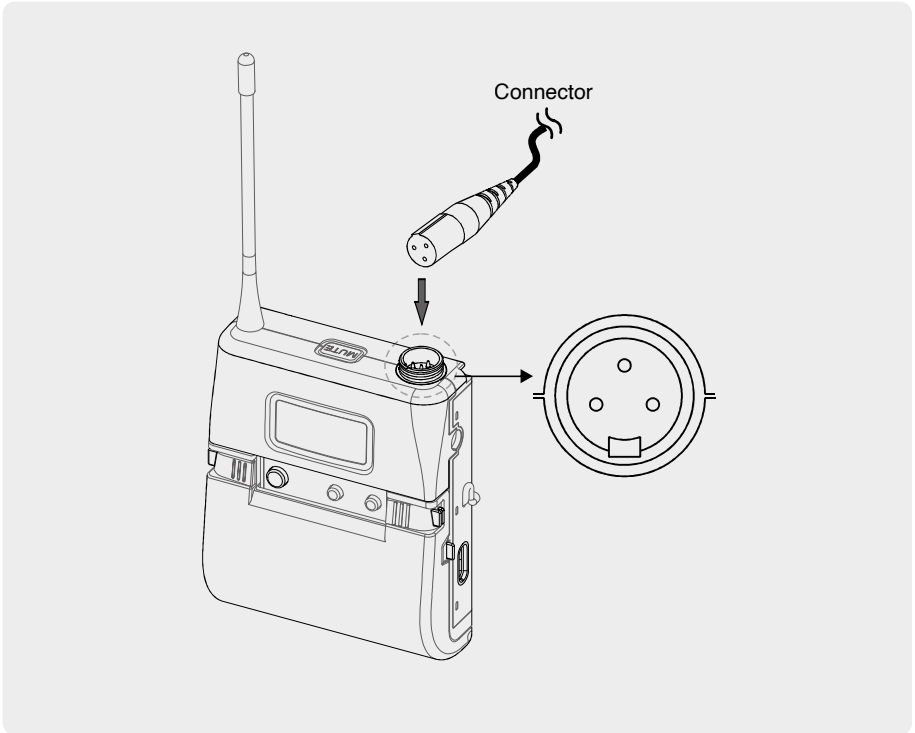
NCBP



- | | | |
|-------------------------------|-----------------------|--|
| ① 3 Pin Microphone Input Jack | ⑥ Sync Window | ⑫ Remote Mute Control Socket |
| ② Mute Button | ⑦ Power Button | ⑬ Battery Cover Latch |
| ③ Transmitting Antenna | ⑧ MODE Button | ⑭ Charging Contacts |
| ④ Housing | ⑨ SET Button | ⑮ USB Type-C Charging Port and Indicator Light |
| ⑤ LCD Screen | ⑩ Battery Compartment | ⑯ Belt Clip |
| | ⑪ Battery Cover | |

Audio Input Operation

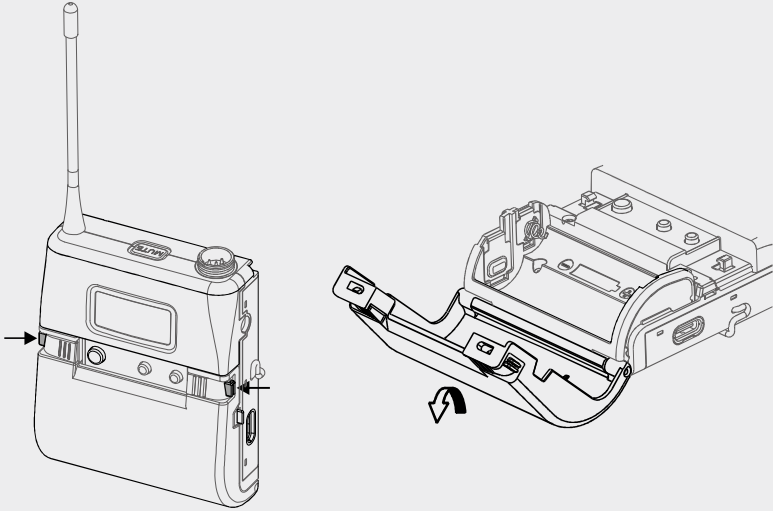
- Before powering on, please complete the signal source connections to avoid noise.
- Align the output connector with the input jack.
- Insert the connector into the jack.



Battery Installation and Charging

■ Open the Battery Cover

Press the Battery Cover Latches inward on both sides and simultaneously lift the cover downward to open.



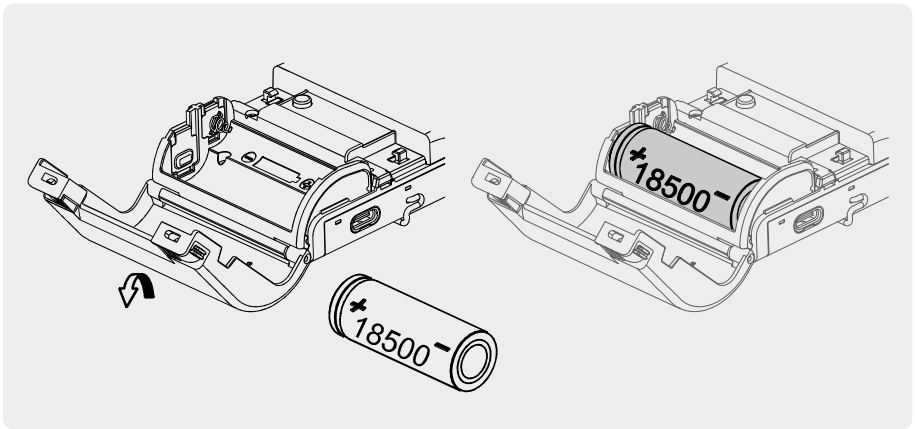
■ Installing AA Batteries

Insert one AA battery into the lower slot with the positive (+) pole facing left, and another into the upper slot with the negative (-) pole facing left.



■ Installing 18500 Rechargeable Lithium Battery

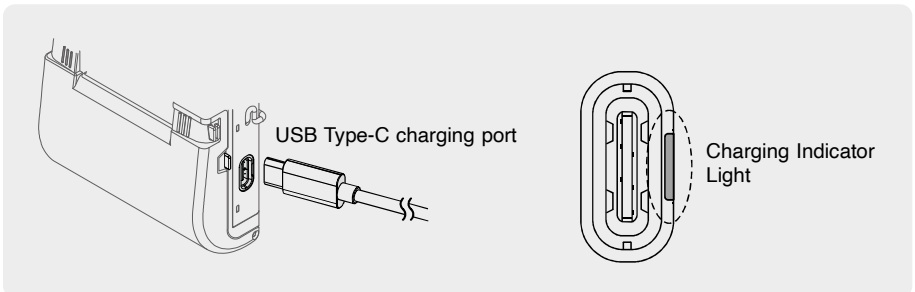
Insert the battery into the lower slot of the battery holder with the positive (+) pole facing left (as shown).



■ Charging Methods

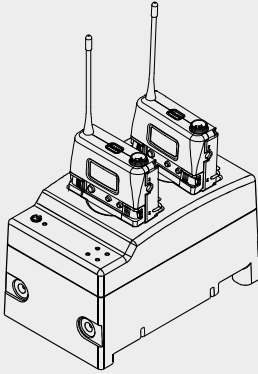
• Using USB Type-C Cable for Charging

1. When charging, the indicator light will display red.
2. Once charging is complete, the indicator light will display green.

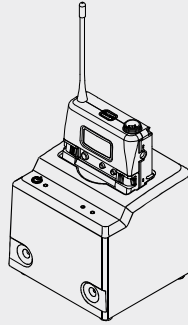


- **Using Charging Dock (Optional)**

1. Ensure the charging dock is connected to a power source, and confirm the power indicator is lit.
2. Charging status: Red (charging); Green (fully charged).



NCC2

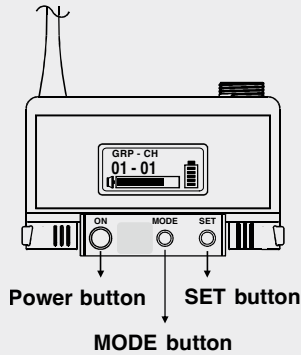


NCC1

⚠ Caution

- Turn off the transmitter power before inserting batteries or charging.
- Rechargeable batteries are limited to 18500 lithium batteries. Ensure the battery polarity is correct before charging.
- Do not mix different types of batteries, such as 1.8V AA lithium batteries with 14500 lithium batteries or standard AA disposable batteries. Any resulting damage will not be covered under warranty.
- If the transmitter cannot be powered on after inserting the batteries, verify that the battery is installed correctly and has sufficient charge. Reinstall and try again.
- Avoid removing rechargeable batteries during charging. It is recommended to disconnect the charger or charging dock before removing the battery.
- Remove the batteries if the transmitter will not be used for an extended period to prevent battery depletion.
- If the charging indicator does not light up, check whether the battery polarity is correct and reinsert the battery.

Operation Instructions



■ Power On/Off

- Press and hold the power button to turn on or off. The LCD screen lights up when powered on.
- After powering off, the LCD screen will display “OFF...” and then turn off automatically.

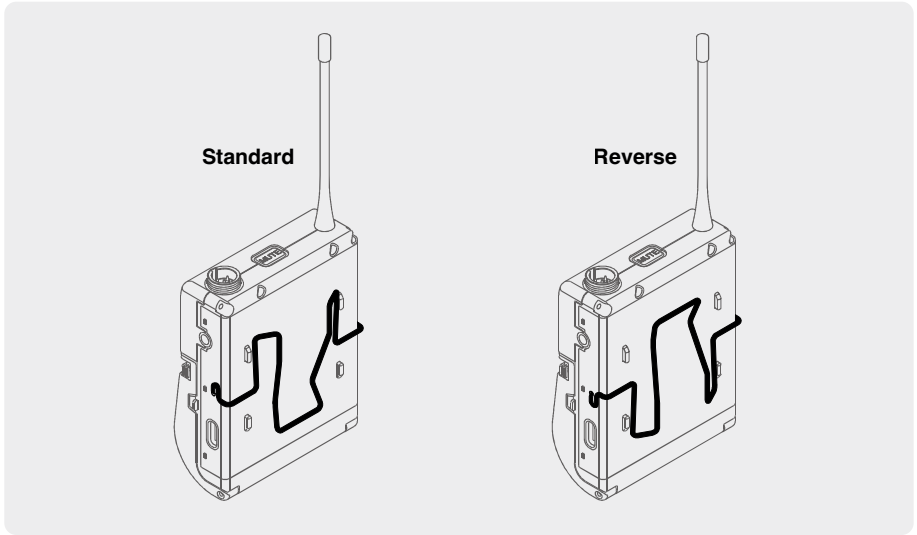
■ MODE Setting

Press the MODE button to select functions.

■ Parameter Setting

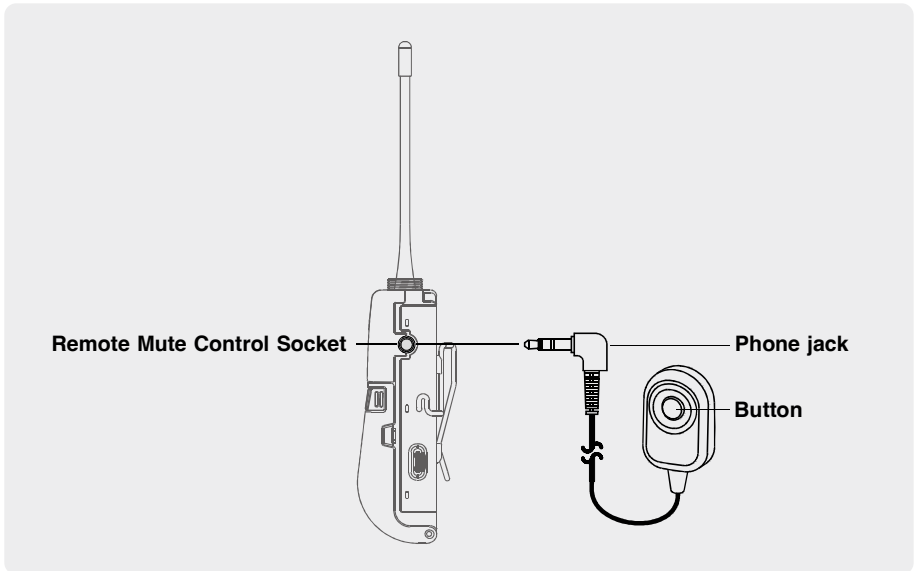
Press the SET button, and the parameter starts to flash. Press the SET button again to change the parameter.

■ Belt Clip



■ Remote Mute Control Function

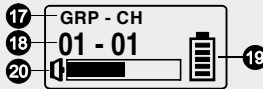
The device features a 3.5 mm remote mute control socket. Connect a momentary or latching switch(not included)to operate the mute function remotely. Contact Audix for additional details on switch wiring.



NCBP LCD Screen Settings

■ LCD Screen Display

- Use the original power adapter supplied. Insert the DC plug into the power jack on the rear panel of the receiver (center positive), and connect the other end to an AC outlet to power the unit.
- Please refer to the model label to confirm the input voltage range (DC 12–15V).



17 Function Area

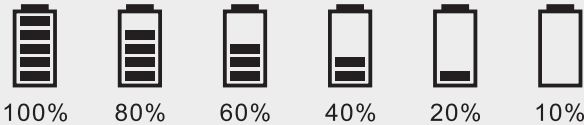
19 Battery Level

18 Parameter Area

20 Audio Signal Level

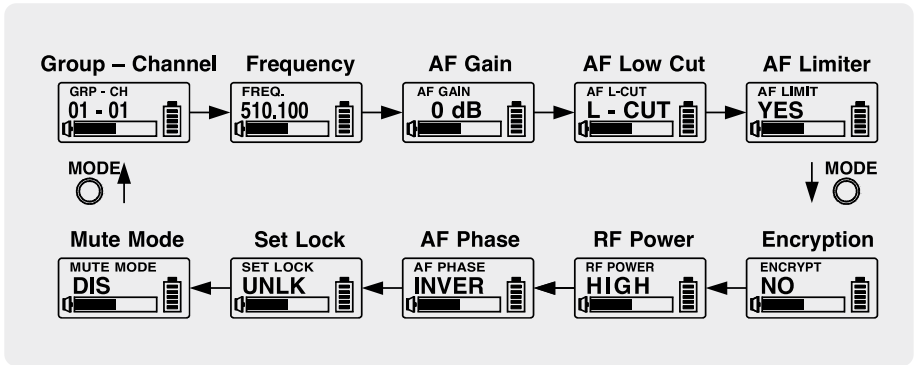
■ Battery Level Display

- The LCD screen shows the battery level, divided into six stages: 100%, 80%, 60%, 40%, 20%, and 10%.



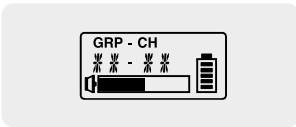
- When the battery level drops to 10%, please recharge immediately. If the voltage becomes too low, the LCD screen will display "OFF..." and the device will shut down automatically.

LCD Screen Functions



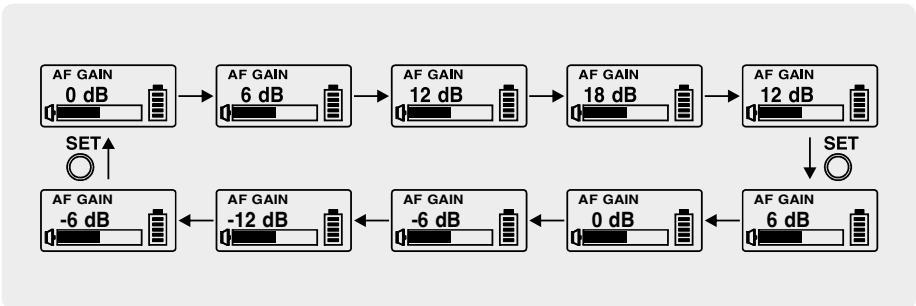
- **Group (GRP) / Channel (CH) / Frequency (FREQ.)**

1. Display only; cannot be changed on the transmitter.
2. Use the receiver to change settings and synchronize with the transmitter using the Sync function.
3. The user-defined Group and Channel will display * * * - * * *



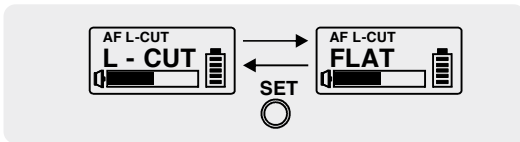
- **AF GAIN**

1. Adjustable from -12 dB to +18 dB in 6 dB increments.
2. The default AF GAIN setting is 0 dB.



- **AF L-CUT**

1. Can be set to L-CUT (Low Cut) or FLAT.
2. L-CUT: the frequency response at 100Hz will decrease by about 3 dB.



- **AF LIMIT**

1. Selectable between YES and NO.
2. YES: the maximum output of the transmitter is limited.



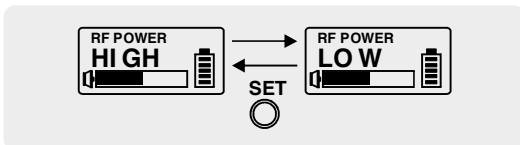
- **ENCRYPTION**

Set on the receiver and synchronize using sync.



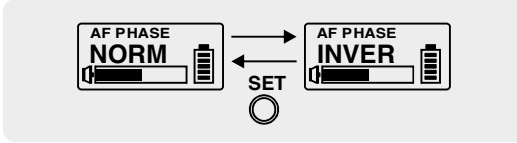
- **RF POWER**

Selectable between HIGH and LOW modes.



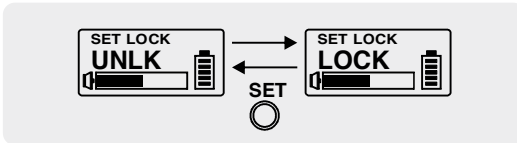
- **AF PHASE**

1. Can be set to NORM (normal polarity) or INVER (reverse polarity).
2. The default setting is NORM. Set to INVER according to the device's phase-matching requirements.



- **SET LOCK**

1. Can be set to UNLK (unlock) or LOCK (lock).
2. LOCK Mode:
 - All function settings, including the power switch, cannot be changed.
 - The lock function is automatically disabled when the device is powered off.
3. The mute button remains functional in LOCK Mode.

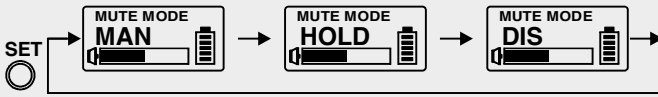


- **Error (ERR)**

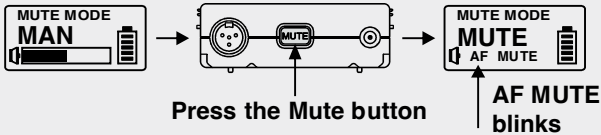
1. ROM-ER: Channel not programmed or internal data error.
2. ERROR1: Malfunction of the RF frequency circuit.
3. No-03: Frequency exceeds the upper band limit. Verify matching frequency bands and restart.
4. No-04: Frequency below the lower band limit. Verify matching frequency bands and restart.

• MUTE MODE

1. Select MAN, HOLD, or DIS.

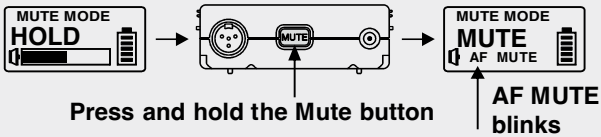


2. MAN: the mute function is controlled by the MUTE button.
 - Press the MUTE button to mute the transmitter, and the Audio Signal Level Bar will display AF MUTE and flash. Press the MUTE button again to unmute.
 - AF MUTE will be disabled automatically when power is off.



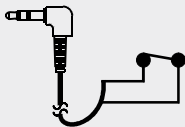
3. HOLD:

- Under HOLD mode, press the Mute button to mute, and release it to unmute.

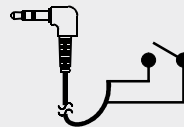


- Under HOLD mode, use ON/OFF of the Remote Mute Switch to mute/unmute.

MUTE ON
audio is muted.



MUTE OFF
audio is on.



4. DIS: Disable the mute function.
5. Under mute status, the MODE and SET buttons are operational.



Federal Communication Commission Interference Statement

This equipment has been tested and found to comply with the limits for a Class B digital device, pursuant to Part 15 of the FCC Rules. These limits are designed to provide reasonable protection against harmful interference in a residential installation.

This equipment generates, uses and can radiate radio frequency energy and, if not installed and used in accordance with the instructions, may cause harmful interference to radio communications. However, there is no guarantee that interference will not occur in a particular installation. If this equipment does cause harmful interference to radio or television reception, which can be determined by turning the equipment off and on, the user is encouraged to try to correct the interference by one of the following measures:

- Reorient or relocate the receiving antenna.
- Increase the separation between the equipment and receiver.
- Connect the equipment into an outlet on a circuit different from that to which the receiver is connected.
- Consult the dealer or an experienced radio/TV technician for help.

FCC Caution: To assure continued compliance, any changes or modifications not expressly approved by the party responsible for compliance could void the user's authority to operate this equipment. (Example - use only shielded interface cables when connecting to computer or peripheral devices).

FCC Radiation Exposure Statement

This equipment complies with FCC RF radiation exposure limits set forth for an uncontrolled environment. This equipment should be installed and operated with a minimum distance of 0.5 centimeters between the radiator and your body.

This transmitter must not be co-located or operating in conjunction with any other antenna or transmitter.

The antennas used for this transmitter must be installed to provide a separation distance of at least 0.5 cm from all persons and must not be co-located or operating in conjunction with any other antenna or transmitter.

This device complies with Part 15 of the FCC Rules. Operation is subject to the following two conditions:

- (1) This device may not cause harmful interference, and
- (2) This device must accept any interference received, including interference that may cause undesired operation.

Frequency range

FCC: 470 – 608 MHz

CE: 470 – 789 MHz / 823 – 832 MHz



Dispose of any unusable devices or batteries responsibly and in accordance with any applicable regulations.

Disposing of used batteries with domestic waste is to be avoided!

Batteries / NiCad cells often contain heavy metals such as cadmium(Cd), mercury(Hg) and lead(Pb) that makes them unsuitable for disposal with domestic waste. You may return spent batteries/ accumulators free of charge to recycling centres or anywhere else batteries/accumulators are sold.

By doing so, you contribute to the conservation of our environment!



Warranty

All Audix products are warranted to the original purchaser to be free of defects in materials and workmanship from the date of purchase as follows:

- > **5 years for VLM Dynamic microphones**
- > **3 years for Fusion Series and Condenser microphones**
- > **1 year for all other products**

In the event of a product failure due to materials or workmanship, Audix will repair or replace said product at Audix discretion, at no charge with proof of purchase from an authorized Audix dealer. Audix does not pay or reimburse shipping costs for warranty repairs or returns. The warranty excludes any causes other than manufacturing defects, such as normal wear, abuse, environmental damage, shipping damage, or failure to use or maintain the product per the supplied instructions.

All implied warranties, including but not limited to implied warranties of merchantability and fitness for a particular purpose are hereby excluded. The liability of Audix, if any, for damages relating to allegedly defective products shall be limited to the actual price paid by Dealer for such products and shall in no event include incidental or consequential damages of any kind.

OTHER THAN THIS WARRANTY, AUDIX MAKES NO WARRANTIES, EXPRESS OR IMPLIED, WITH RESPECT TO THE PRODUCTS, THE USE OF THE PRODUCTS, THE PERFORMANCE OF THE PRODUCTS. AUDIX SHALL NOT BE LIABLE FOR SPECIAL, INCIDENTAL, CONSEQUENTIAL, INDIRECT OR SIMILAR DAMAGES ARISING FROM OR BASED ON THE SALE, USE, STORAGE OR DISPOSAL OF THE PRODUCTS, AUDIX'S SERVICE WORK, BREACH OF WARRANTY, BREACH OF CONTRACT, NEGLIGENCE, OR ANY OTHER THEORY OF LIABILITY, EVEN IF AUDIX HAS BEEN ADVISED OF THE POSSIBILITY OF SUCH DAMAGES.

AUDIX®

audixusa.com

503.682.6933

©2026 Audix LCC All Rights Reserved.
Audix and the Audix Logo are trademarks of Audix LLC.