

# M63

## LOGIC-ENABLED BOUNDARY MICROPHONE

### OVERVIEW

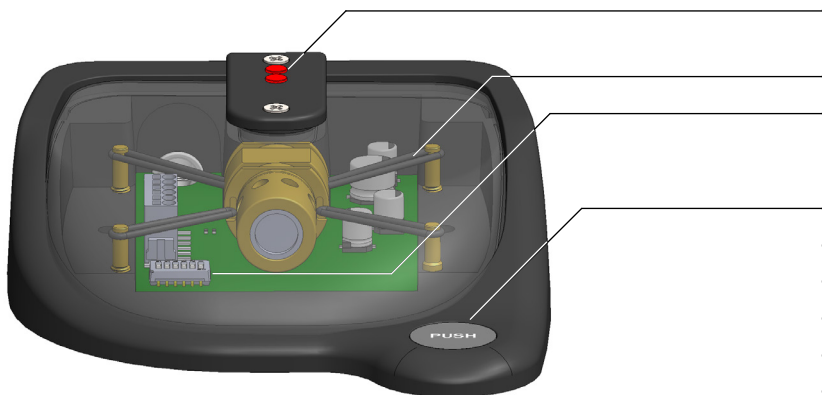
The M63 is a condenser boundary microphone featuring programmable functionality including a local toggle on/off, momentary talk and mute switching, and LED status (red/green) indicators. Optimized for speech, the M63 employs the Micros™ series technology for superior audio quality and performance. The M63 is also the industry's only programmable boundary microphone with a patented internal shock-mount suspension system to reduce noise caused by touch and surface vibrations.

The M63 uses an internal microprocessor programmed to provide common DSP functions at a fraction of the cost of a typical DSP solution. Only the microphone connection (A+, A- and ground) is required for full functionality when set to internal logic. Phantom power is required (No other power supply is needed). For installations not requiring elaborate DSP programming, the M63 provides an easy-to-operate solution without the cost and labor required for DSP operation.



### FEATURES

- Sleek, modern design
- Programmable (red/green) LEDs for active/mute status
- Industry-first internal shockmount
- Programmable toggle on, toggle off, momentary talk and momentary mute button modes
- Ergonomic flush-mount button
- Optimized for speech clarity
- High sensitivity and signal-to-noise
- Immunity from RF interference
- Slide-resistant rubber base
- Manufactured in the USA with US and foreign components
- 3-year warranty



### MODEL VARIATIONS

- **M63** - Cardioid polar pattern; cable exits the rear of unit
- **M63B** - As above, except cable exits the bottom of the unit (cable passes through mounting surface)
- **M63OMNI** - Omnidirectional polar pattern; cable exits the rear of unit
- **M63OMNIB** - As above, except cable exits the bottom of unit
- **M63D** - Dante-AES67 version

### APPLICATIONS

- Boardrooms
- Huddle rooms
- Distance learning
- Video and teleconferencing
- Courtroom/government
- Podium



© 2022 Audix Corporation. Audix is a registered trademark of the Audix corporation. Specifications subject to change without notice. For service and warranty information, visit [audixusa.com](http://audixusa.com)

# AUDIX®

M63 Spec Sheet V2.1

## SUPPLIED ACCESSORIES

- Two mating 3-pin terminal block connectors
- Drill template
- Mounting screws

## ARCHITECT & ENGINEER SPECIFICATION

The microphone shall be of the condenser type with modular, miniature capsule available with cardioid or omnidirectional polar patterns, as well as rear- or bottom-exiting cable configurations. The microphone shall be protected from RF interference and have a patented internal shockmount suspension system. The microphone shall have two colored (red/green) LED status indicators, an offset push button, and programmable internal logic. The microphone shall have a fully integrated preamp circuitry. The microphone shall operate on 48 Volts DC and the nominal output impedance shall be equal to 150 ohms at 1 kHz. The microphone shall have a sensitivity of 52 mV / Pa at 1 kHz. The microphone shall have a maximum SPL level of  $\geq 124$  dB with THD of 0.5%. The microphone shall be cast out of zinc alloy and painted black and the dimensions shall be 82 mm in width and a length of 103 mm. The microphone shall be the Audix M63.

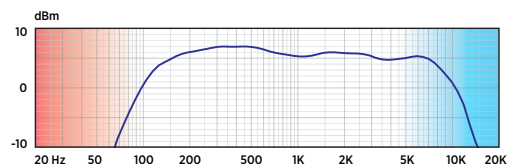
## DIMENSIONS



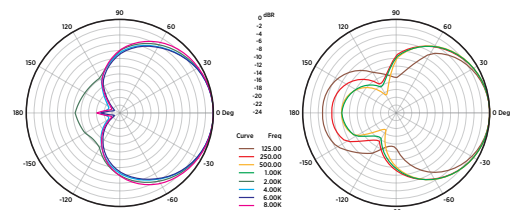
## SPECIFICATIONS

<b>Transducer Type</b>	Condenser
<b>Frequency Response</b>	50 Hz - 15 kHz
<b>Polar Pattern</b>	Cardioid or Omni
<b>Output Impedance</b>	150 ohms
<b>Sensitivity</b>	52 mV / Pa @ 1k
<b>Signal to Noise Ratio</b>	22 dB
<b>Equivalent Noise Level</b>	72 dB
<b>Maximum SPL</b>	$\geq 124$ dB
<b>Dynamic Range</b>	102 dB
<b>Power Requirements</b>	48V phantom
<b>Polarity</b>	Positive pressure on diaphragm produces positive voltage on pin 2 relative to pin 3 of output XLR connector
<b>Connector</b>	Two 3-pin terminal block connectors
<b>Materials / Finish</b>	Zinc alloy / black
<b>Weight</b>	350 g / 12.3 oz
<b>Width</b>	81 mm / 3.25 in
<b>Length</b>	103 mm / 4 in

## FREQUENCY RESPONSE



## POLAR PATTERNS



© 2022 Audix Corporation. Audix is a registered trademark of the Audix corporation. Specifications subject to change without notice. For service and warranty information, visit [audixusa.com](http://audixusa.com)

# AUDIX®

M63 Spec Sheet V2.1